

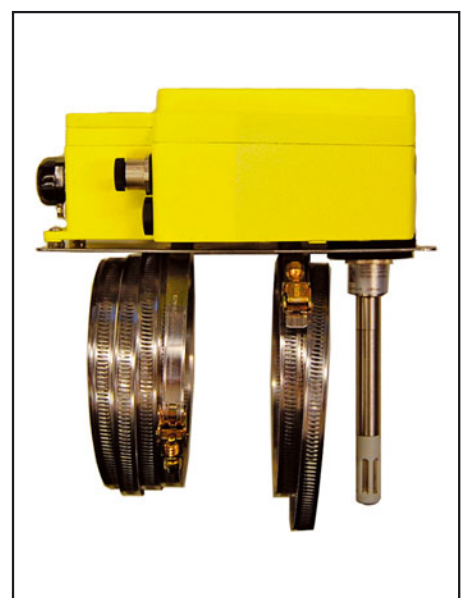
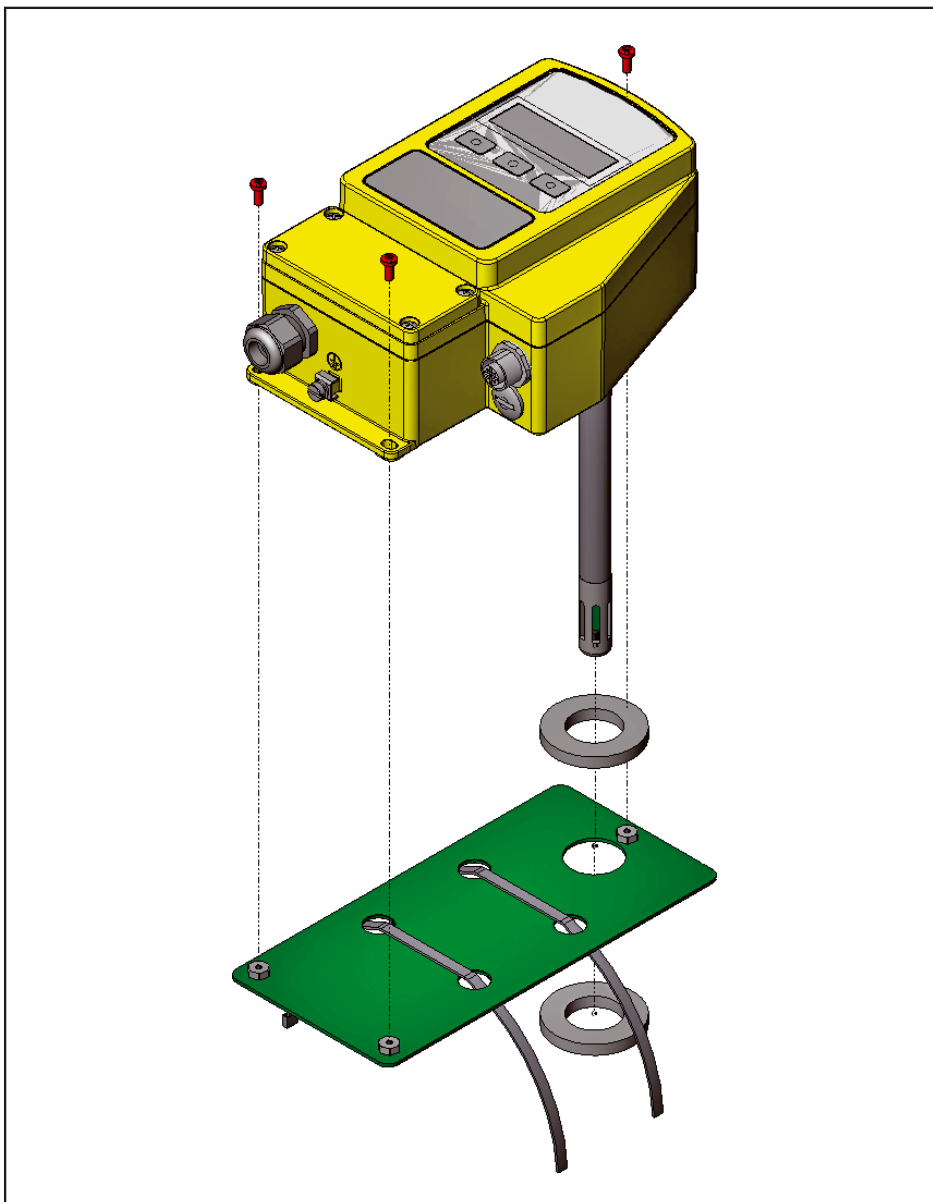
## Plate for mounting to round ducts up to Ø 600 mm

Type	Description
MKR	Mounting plate for round duct

Mounting/Description
1. Mount sensor with 3 screws to plate
2. Strap over the duct and screw tighten

Technical data		
Type	MKR	
Delivery	1 plate, gasget, 2 strabs, 3 mounting screws M3 × 8 mm	
Material	Plate, Screws	V2A stainless steel
	Strab	Steel zinc plated
	Gasget	EPDM

### Product images / Application



D.ZM-02.01-S-en-MKR  
21.04.2009