



ExMax - Revolution

Electrical, explosion proof rotary actuators - size M

On-off, 24..230 VAC/DC, 95° angle of rotation, 30 Nm - 50 Nm with 3 s safety operation

(spring return) optional integrated IS circuit, optional internal aux. switch 5 u.85°

PTB-tested in acc. with ATEX RL 94/9/EG for zone 1, 2, 21, 22.

ExMax - 30 - F3

ExMax - 50 - F3

ExMax - 30 - SF3

ExMax - 50 - SF3

ExMax - 30 - BF3

ExMax - 50 - BF3

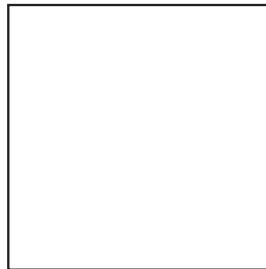
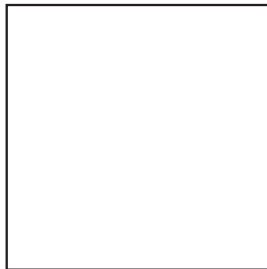
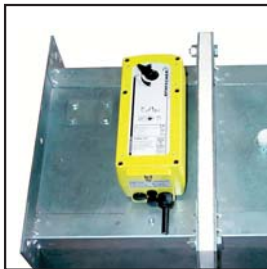
Subject to change

Compact - Easy installation - Universal - Cost effective - Safe

Type	Torque	Supply	Motor running time	Spring return	Control mode	Additional features	Wiring diagram
ExMax-30-F3	30 Nm	24...230VAC/DC	40/60/90/120/150 Sek bei 90°	< 3 s at 90°	On-Off		SB 1.4/1.5
ExMax-50-F3	50 Nm	24...230VAC/DC	40/60/90/120/150 Sek bei 90°	< 3 s at 90°	On-Off		SB 1.4/1.5
ExMax-30-SF3	30 Nm	24...230VAC/DC	40/60/90/120/150 Sek bei 90°	< 3 s at 90°	On-Off	2xEPU (5/85°\triangleleft)	SB 1.4/1.5
ExMax-50-SF3	50 Nm	24...230VAC/DC	40/60/90/120/150 Sek bei 90°	< 3 s at 90°	On-Off	2xEPU (5/85°\triangleleft)	SB 1.4/1.5
ExMax-30-BF3	30 Nm	24...230VAC/DC	40/60/90/120/150 Sek bei 90°	< 3 s at 90°	On-Off	2xEPU (5/85°\triangleleft) + EEx-i circuit	SB 7.5/7.6
ExMax-50-BF3	50 Nm	24...230VAC/DC	40/60/90/120/150 Sek bei 90°	< 3 s at 90°	On-Off	2xEPU (5/85°\triangleleft) + EEx-i circuit	SB 7.5/7.6
ExMax- ... - CTM	Type as above but with AL - housing and amercoat paint, gearbox parts, cable gland and hollow rivet nickel-plated						

Application

Fire Damper



Description size M

The new ExMax actuators are a revolution for safety, fire and shut-off dampers other motorized applications in chemical, pharmaceutical, industrial and Offshore-/Onshore plants, for use in EEx-areas zone 1, 2 (gas) and zone 21, 22 (dust).

Highest protection class (ATEX) and IP 66 protection, small dimensions, only 9,5 kg weight, universal functions and technical data, an integrated heater guarantee safe operation even under difficult environmental conditions. High quality brushless motors guarantee long life. All actuators are programmable and adjustable on site. Special tools or equipment are not required. Motor running times selectable or adjustable on site. The integrated universal power supply is self adaptable to input voltages in the range of 24 to 230 VAC / DC. The actuators are 100% overload protected.

ExMax-...-F3 actuators are equipped with spring return fail safe function. Further the **ExMax-...-SF3** with integrated aux. switches for end position indication and the **ExMax-...-BF3** with an intrinsically safe circuit to connect an external passive potential free thermostat Type FireSafe. Standard shaft connection is a double squared direct coupling with 16 x 16 mm.

Different accessories are available to adapt aux. switches, terminal boxes or adaptations for ball valves and throttle valves.

Highlights

- ▶ For all type of gas, mixtures, vapours and dust for use in zone 1, 2, 21 and 22
- ▶ Universal supply unit from 24 to 230 V - AC/DC
- ▶ EEx-i circuit for directly connection of a passive potential free safety thermostat
- ▶ 2 integral aux. switches, switching at 5° and 85° angle of rotation
- ▶ 5 different motor running times (40-60-90-120-150 sec./90°), adjustable on site
- ▶ spring return running time 3 s / 90°
- ▶ On-off control with spring return function
- ▶ 30 - 50 Nm actuators in the same size (M)
- ▶ 100 % overload protected
- ▶ Compact design and small dimension (L x W x H = 287 x 149 x 116 mm)
- ▶ Direct coupling to the damper shaft with double-squared connection 16 x 16 mm
- ▶ 95° Angle of rotation incl. 5° pre-tention
- ▶ Robust aluminium housing (optional amercoat painting)
- ▶ IP 66 protection
- ▶ Simple manual override include + preparation for comfortable manual override
- ▶ Gear made of stainless steel and sinter metal
- ▶ Only 9,5 Kg weight
- ▶ Integral heater for ambient temperatures down to -40°C
- ▶ Integral safety temperature sensor
- ▶ Integral equipment for manual adjustment (push button, lamp, switch)
- ▶ Preparation for adaptable aux. switches type ExSwitch
- ▶ Range of accessories



ExMax-30-..F3

Special makes

ExMax-50-..F3

ExMax-..-CTM

 EXPLOSION PROOF

Technical data	ExMax-30-..F3	ExMax-50-..F3
Torque motor	30 Nm	50 Nm
Torque spring return (F)	min. 30 Nm	min. 50 Nm
Dimension of external torque	minimum 15 Nm lower load reduce lifetime	minimum 25 Nm lower load reduce lifetime
Supply voltage/Frequency	24...230 VAC/DC, + 15 % / - 20% , self adaptable, Frequency 50...60 Hz +/- 20 %	
Dimension	max. starting currents see table "EL-M" (in acc. with voltage, I _{start} >> I _{rated}), max. 20 W blocking position, approx. 16 W for heater	
Protection class	class I (grounded)	
Angle of rotation and indication	95°, incl. ~ 5° pre-tention, mechanical value indication	
Working direction	selectable by left/right mounting to the damper/valve shaft	
Motor running time	40 / 60 / 90 / 120 / 150 sec. at 90° selectable on site	
Motor	brushless DC Motor	
Spring return (F)	spring return in the event of loss of power or open the wire no. 3	
Spring return running time (F)	spring return in 3 s at 90°	
Safety operations	min. 1.000 in acc. with construction of damper and ambient, consider minimum load	
Response time spring return	up to 1 sec. after power failure	
Control mode	On-off	
Intrinsic safe circuit	Additional EEx-i circuit to connect a passive potential free thermostat as a safety sensor, e.g. type FireSafe option -BF3	
IS connection	direct to the actuator with M12 fast connection	
Integratet aux. switches	2 aux. switches, switching at 5° and 85° Angle of rotation option -BF3 and -SF3	
Axle of the actuator	double squared 16 x 16 mm, direct coupling, 100 % overload protected	
Electrical connection	cable, ~1 m, diameter of wires 0,5 mm ² , for connection inside hazardous areas an EEx-e terminal box is required!	
Diameter of cable	~ Ø 7,3 ... 9,6 mm acc. to type	~ Ø 7,3 ... 9,6 mm acc. to type
Cable gland	M16 x 1,5 standard - cable - and wire entries are integral part of explosions proof encapsulation; tested acc. to EN 50018	
Manual override	Manual override only if supply voltage is cut, use delivered socket wrench, slow motion, enough torque/force is required Attention: with manual operation of actuators with spring return danger of injury exists, with release/let go the socket wrench.	
Integral heater	integral heater, controlled, for ambient temperature down to - 40°C	
Housing material	Aluminium die cast housing, painted (optional amercoat painting type ExMax ...-CTM)	
Dimensions	L x W x H = 287 x 149 x 116 mm, for diagramm see extra information "ME-M"	
Weight	~ 9,5 Kg Aluminium housing	
Ambients	storage temp. - 40..+ 70°C, working temperature - 40..+ 40°C at T6 and - 40...+ 50°C at T5, humidity in acc. with EN 60335-1	
Operation mode	100 % ED	
Self adjustment	if you select 40 sec. and 60 sec. mode for motor or rotation angle < 90° you need to start the self adjustment mode	
Maintenance	maintenance free, maintenance must be complied with regional standards, rules and regulations	
Wiring diagrams (SB)	SB 1.4 / 1.5 / 7.5 / 7.6	SB 1.4 / 1.5 / 7.5 / 7.6
Delivery	1 actuator, 1 m cable, double squared shaft connection 16x16 mm, 4 screws M 8 x 140, 4 nuts M 8 socket wrench for simple manual override	
Parameter at delivery	30 Nm, 90 sec./90°	50 Nm, 90 sec./90°

Explosion proof	ExMax actuators - size M
PTB-tested	PTB 04 ATEX 1028 X
In acc. with ATEX	RL 94/9/EG (ATEX)
Approval for gas	II2G EEx d[ia] IIC T6/T5 gas, mist, vapour, zone 1 and 2
Approval for dust	II2D IP66 T80°C dust, zone 21 and 22
Identification	CE No. 0158
EMC	EMV-RL 89/336/EG
Low voltage	Low-voltage RL 73/23/EG
IP-Protection	IP 66, in acc. with EN 60529
Potential compensation	external PA-terminal, 4 mm ²
EEx-i circuit data	see table below wiring diagrams

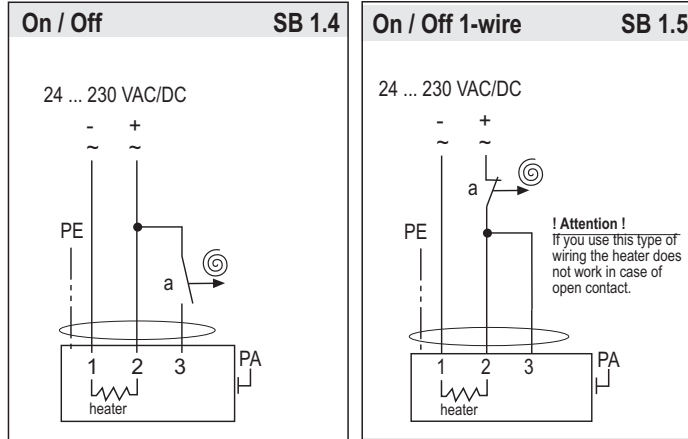
Accessories or special solutions - size M
ExMax-..-CTM above listed types in Al-housing with amercoat painting, parts nickel-plated
ExBox-... EEx-e terminal box for zone 1, 2, 21, 22.
MKK-M mounting bracket for EEx-e terminal boxes type ExBox-... direct on actuator
ExSwitch 2 external aux. switches, adjustable, for zone 1, 2, 21, 22
HV-M comfortable manual override for ExMax actuators size M
Adaptations various adaptations for dampers/valves on request
BFH-M Mounting holder for actuators at fire danger area
FireSafe Sensor with manufacturer certificate in acc. with ATEX.



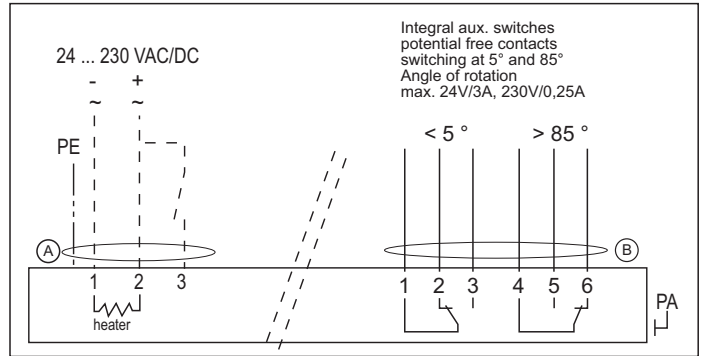
Electrical connection

ExMax actuators are equipped with a universal supply unit working at a voltage range from 24 to 230 VAC/DC. The supply unit is self adjustable to the connected voltage! The safety operation of the spring return function works if the supply voltage is cut or open the wire 3. For electrical connection inside hazardous areas an EEx-e terminal box, certificated in acc. with ATEX is required (e.g. ExBox).

Anschluss



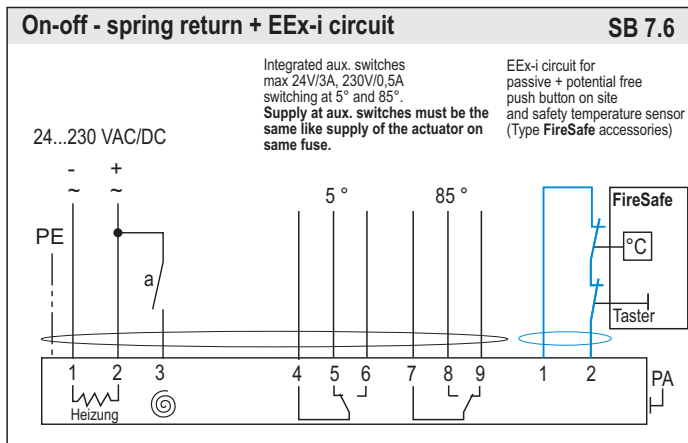
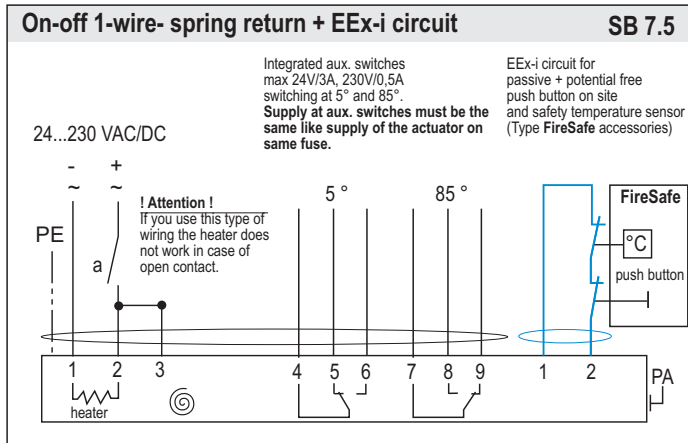
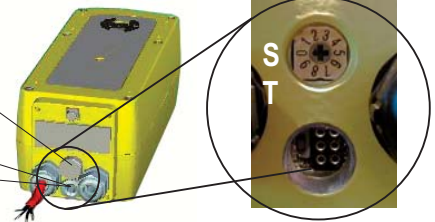
Wiring diagram integral aux. switches



Parameter, Adjustment - Failure indication

Switch - Push button - Lamp for adjustment, behind the blanking plug

- 10-position switch (S)
- Push button(T)
- 3-colour LED



Parameter selection

Example ExMax-30-BF3

Requested parameter:
Torque 30 Nm
Running time motor 90 sec/90°

Result: switch position (S) 02

Type	Torques
ExMax- 30-BF3	30 Nm
Running times	
40 s/90°	00 05
60 s/90°	01 06
90 s/90°	02 07
120 s/90°	03 08
150 s/90°	04 09

Function, adjustment and parameter

A) Self adjustment of Angle of rotation:

Switch (S) into position 02, then push button (T) for minimum 3 seconds. The actuator will drive into both end positions to be adjusted.

LED indicates green flashing. The actuator must be in position off.

Adjustment time needs approx. (90 sec. On, 3 sec. Off). After that, switch S into position 00-09 in acc. with your required torque and running time.

B) Selection of running time and torque:

Put switch (S) into the correct/selected position in acc. to above table.

The selected parameter will work at next operation of the actuator.

Adjustment can be done even without supply voltage. If supply voltage is available turn switch only if actuator is not running.

C) Additional information for 3-pos operation:

a closed = actuator goes ON

a opened = spring return mode

Direction depends on left/right mounting of the actuator to the damper/valve.

D) Function of a passive sensor in the EEx-i circuit:

If the sensor opens the EEx-i circuit the actuator runs into its safety end-position with spring return

EEx-i intrinsic safe data

U₀ = 10,6 V
I₀ = 11 mA
P₀ = 30 mW
C_i = 0
L_i = 0

	IIC	IIB	IIA
C ₀	830 nF	3,7µF	4,5 µF
L ₀	2 mH	5 mH	10 mH



Never use actuators in this mode without external torque/force..

Error indication

See extra information "EL-M"



Mounting instructions and important information for operation and installation

Important information for installation and operation

A. Installation, commissioning, maintenance

The cable of the actuator must be installed in a fixed position and protected against mechanical and thermal damage. In acc. with operation ExMax actuators are maintenance free. Nevertheless maintenance must comply with regional standards, rules and regulations. The flameproof enclosure is protected against mechanical shock in acc. with EN 50014, Abs. 23.4.3.1 by the housing of the actuator. The actuators must not be opened by the customer. For outdoor installation a protective housing against rain, snow and sun should be applied to the actuator, as well as a constant supply at terminal 1 and 2 for the integral heater. For electrical connection inside hazardous areas an EEx-e terminal box is requested (e.g. type ExBox).

Attention: If the actuator is put out of operation all EEx-rules and regulation must be applied.

Example: you have to cut the supply voltage before opening an EEx-e terminal box

B. Shaft connection, selection of running time, heater

ExMax actuators are equipped with a direct coupling double squared shaft connection of 16 x 16 mm. The housing of the actuator is axially symmetrically built to select open/close direction of the spring return function by left/right mounting. In acc. to the actuator type 5 different motor running times can be selected on site. The integral heater is for ambient temperatures down to -40°C.

C. Spring return

Spring return function works if the supply voltage (terminal 1 or 2) is cut or open the wire 3. In the event of an electrical interruption, the spring returns to its end position.

D. Operation at an ambient temperature below - 20°C

See extra information "EL-M".

E. Excess temperature

In acc. to the ATEX rules and regulations EEx actuators must be protected against excess temperature. An internal thermostat guarantees the temperature class in the event of failure. If this thermostat is working the actuator must be sent to the factory. ExMax actuators are equipped with an additional temperature sensor to stop the actuator before reaching this max. temperature. In this case the failure must be eliminated immediately on site.

F. FireSafe

The actuator works only with the temperature sensor type FireSafe

G. Synchronous mode

To link two or more actuators together is not permitted.

Important information for routine test

For periodic inspection of fire dampers cut of the the supply line (cut off the current of the actuator)

The switch contact on FireSafe is only for test aims of actuators function.

Extra information "EL-M" (see additional data sheet)

extra technical information, versions of circuit diagrams and failure indication

Extra information "ME-M" (see additional data sheet)

extra technical information, dimensions, installation instruction and illustration

Mounting on air dampers with double squared shaft connection

Details see extra information "ME-M".



EEx-i safety temperature sensor - FireSafe



The safety thermostat type FireSafe is passive and potential free for use in intrinsic safe circuits, directly connectable to the EEx-i circuit of the ExMax-...-BF actuators. The sensor switches at an ambient temperature of 72°C and starts the fail safe spring return function of the actuator. Sensor with manufacturer certificate in acc. with ATEX.

ExSwitch - adaptable external EEx-d aux. switches



ExSwitch is an accessory to ExMax actuators, fixing directly onto the actuator. ExSwitch are aux. switches with with 2 potential free contacts, adjustable on site. The electrical wiring needs an EEx-e terminal box.

ExBox - adaptable EEx-e terminal box



For electrical connection of an ExMax inside the hazardous area an EEx-e terminal box is required. To adapt the ExBox direct to the actuator housing an additional accessory **type MKK-M** is required.

ExBox-3P
ExBox-YS
ExBox-BF



ExMax/RedMax - extra information EL-M



The "EL"-data sheet contains additional information for ExMax and RedMax actuators of the size "M", for the optimization and simplification in regard to planning, installation and initial startup. It provides influences of external factors in reference to the safe initiation of the actuators, as well as technical references and problem solutions (error indication). With the error indication, functions can be examined and different error/problems can be adjusted locally.

- ▶ Power supply design
- ▶ Design of line cross section 24...48 VAC/DC
- ▶ Wiring alternatives for on-off, 3-pos, BF actuators
- ▶ Wiring alternatives for modulating actuators
- ▶ Use at ambient temperatures down to -20°C / - 40°C ()
- ▶ Error indication - problem treatment/solution

For additional mechanical data have a look at "extra information ME-M"

Power input depending of supply voltage

Power supply design

The design of the on-site supply, depends on the selected motor running time and selected supply voltage. Accompanying values are "about values", since there can be construction unit dispersions within electronics. The power consumption in the blocking position is run time independently with max. 20 W. The power consumption for the heater is between 5 and 12 W. The heading is running only if the motor is in idle position! The initial starting supply voltage required by the actuators power supply unit is around 2,0 A for about 1 Sec. (Please consider this while conceiving the cross section of the supply line)

Voltage	Current	Rated current in acc. with motor running time				
		40s	60s	90s	120s	150s
230 V	I _{rated}	0,3 A	0,3 A	0,15 A	0,10 A	0,10 A
24 V	I _{rated}	1,0 A	0,7 A	0,5 A	0,4 A	0,4 A

Voltage	Current	Rated current in acc. with motor running time (Spring return)				
		40s	60s	90s	120s	150s
230 V	I _{rated}	0,4 A	0,3 A	0,15 A	0,10 A	0,10 A
24 V	I _{rated}	2,0 A	1,8 A	1,4 A	1,4 A	1,4 A

Dimensioning of the line cross section with 24 ...48 VAC/DC supply voltages

Dimensioning/Design of the supply line

On long distances between voltage supply and drive, voltage drops occur due to line resistances. As a consequence with 24 VAC/DC the actuator receives a too low tension and does not start. In order to prevent this, the cross section of the inlet line is to be designed/dimensioned accordingly. The accompanying formula allows the calculation of the necessary line cross section, perhaps provides the maximally permitted conduit length utilizing the existing line cross section. Alternatively the secondary voltage can be increased by selecting a transformer. For calculation purposes, following characteristics are essential:
 U_v = supply voltage in [V]
 A = line cross section in [mm²]
 L = conduit length in [m]
 Factor 0.0714 = drive-specific factor
 [Vmm²/m] (based on the electrical conductivity of electrolytic copper with a coefficient of 56m/Wmm²)

Formula for max. cable length "L" at cable cross section "A"

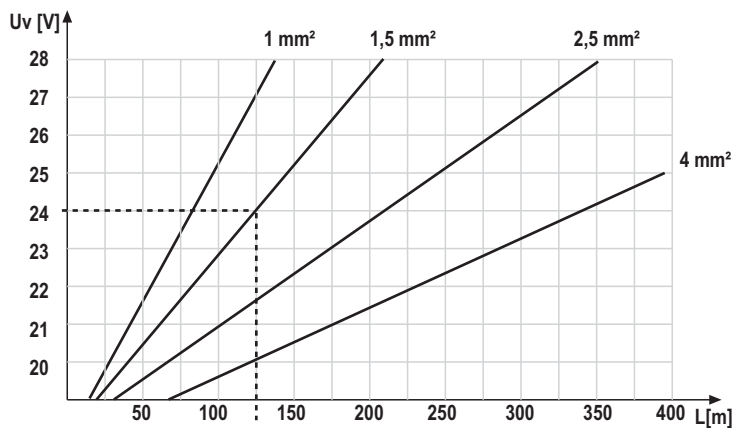
$$L = A \cdot (U_v - 18V) : 0,0714$$

Example: A = 1,5 mm², U_v = 24 V
Length of cable L = 126 m

Formula of needed cable cross section "A" at a cable length of "L"

$$A = 0,0714 \cdot L : (U_v - 18V)$$

Example: L = 250 m, U_v = 30 V
Cross section of A = 1,5 mm²

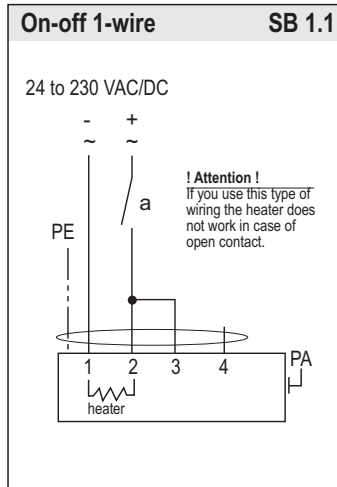
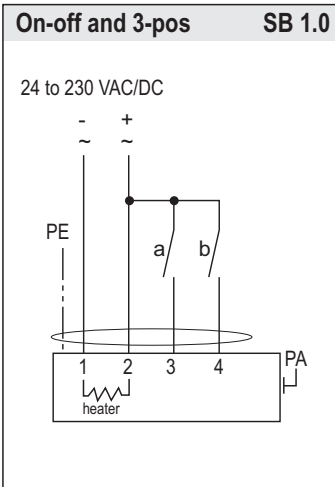


Example:
24 V power supply with wire diameter 1,5 mm² = 126 m



Wiring alternatives for on-off and 3-pos actuators with spring return

ExMax...-F, ExMax...-SF, RedMax...-F, RedMax...-SF



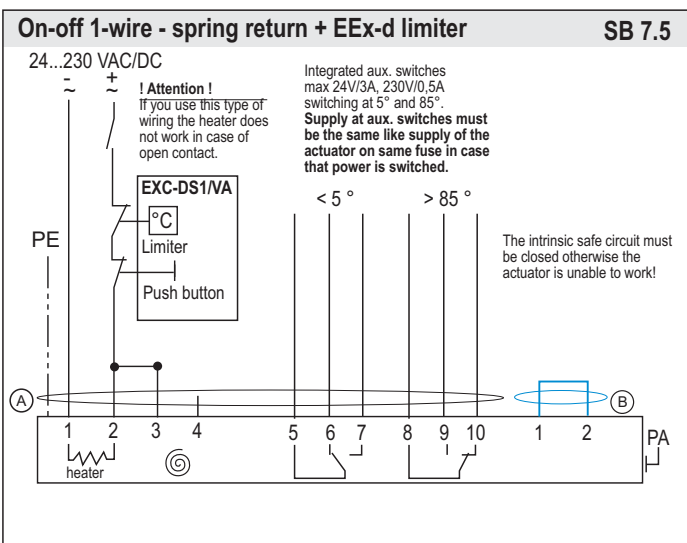
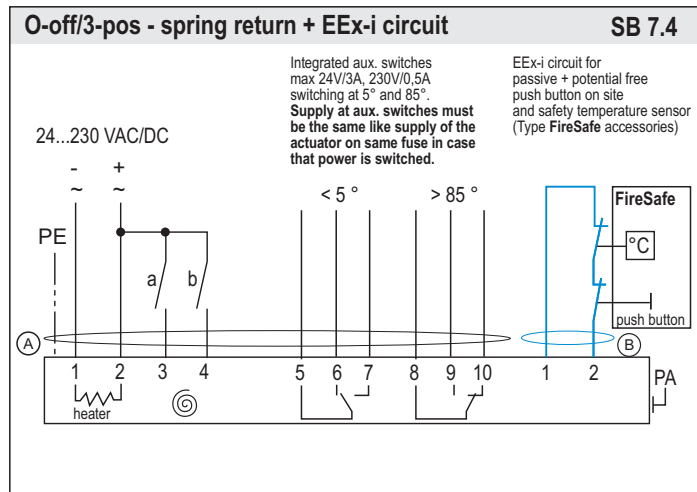
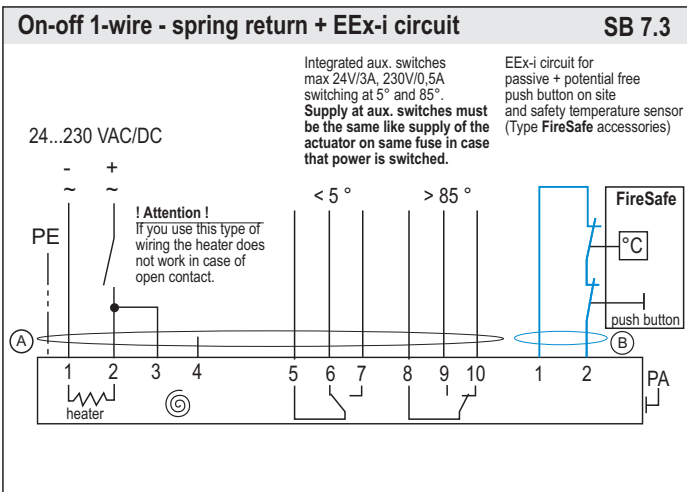
! Attention! !

If 40 sec. or 60 sec. mode is selected for motor and/or spring return, the self adjustment of angle of rotation must be started.

Never use actuators without external torque/force min. 10 Nm.

Wiring alternatives for BF actuators

ExMax...-BF, RedMax...-BF



Values of the EEx-i circuit

U₀ = 10,6 V
I₀ = 11 mA
P₀ = 30 mW
C_i = 0
L_i = 0

	IIC	IIB	IIA
C ₀	830 nF	3,7 μF	4,5 μF
L ₀	2 mH	5 mH	10 mH

! Achtung! !

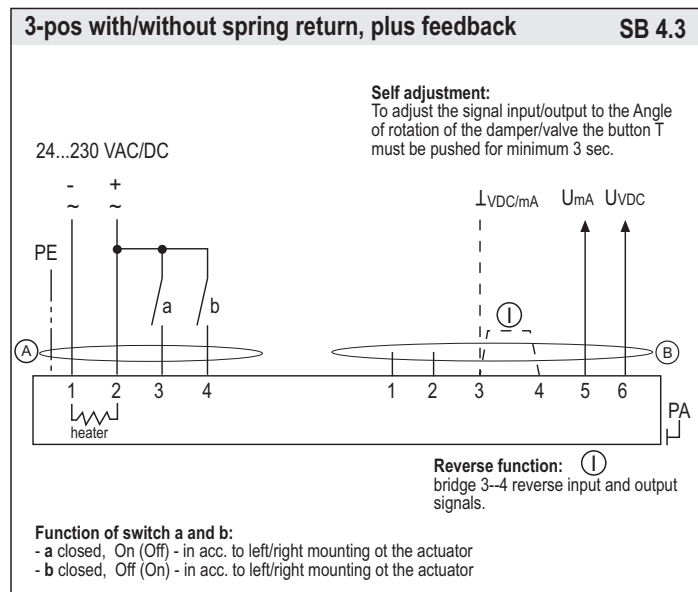
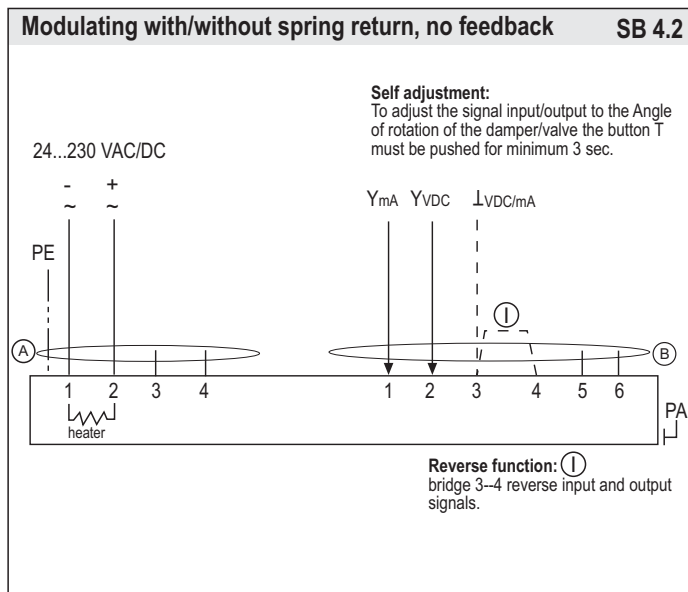
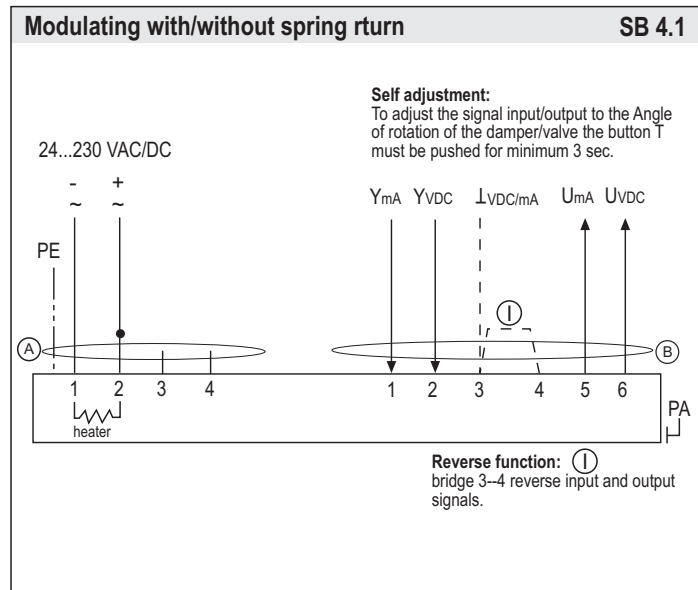
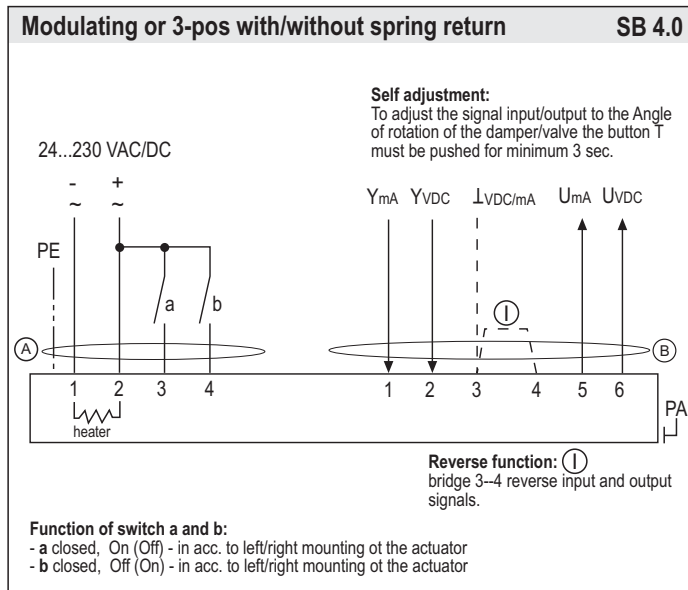
If 40 sec. or 60 sec. mode is selected for motor and/or spring return, the self adjustment of angle of rotation must be started.

Never use actuators without external torque/force min. 10 Nm.



Wiring alternatives for modulating actuators with or without spring return

ExMax-...-Y..., RedMax-...-Y..



Over temperature, 3-pos-operation, heating by low ambient temperatures

I. Temperature rise

While operating the ExMax actuator following parameters have to be aligned:
At overload resp. temperature rise the actuator will remain functionless until cooling.
During cooling the LED is red.

II. 3-pos operation

ExMax (RedMax) actuators are in the best way suitable for the 3-pos operation. To protect such elements as gears and mounting elements against harmful influences like minimum pulse time, ExMax (RedMax) actuators are protected via internal electronics. The internal electronic permits 20 impulses with $< 0.5 >$ sec. cyclic duration, afterwards at least 1 impulse > 1 sec. must follow. If clocked with more than 20 impulses each < 1 sec. the actuator will adjust into a suspend mode. There after a reset is mandatory and will be achieved by briefly switching of the supply voltage for about 2 sec. The control unit has to be parameterized in order to be set within the above mentioned duration limits.

III. Use at low ambient temperature below -20°C

All ExMax (Redmax) actuators are equipped with a regulated integrated heating device designed for employments down to -40°C ambient temperature.

The heater will be supplied automatically by connecting the constant voltage supply on the clamps 1 and 2.

Following parameters are to be considered by ambient temperature $< 10^{\circ}\text{C}$:

1. After mounting the actuator must be immediately electrically connected.
2. The actuator will only be activated after the operating temperature has reached at least -20°C .
3. The adjustment options are only ensured after this heating up period.⌋

IV. Mechanical protection

1. The actuator must be operated with an outside load of at least 10 Nm.
2. After installing the actuator to the damper/armature an automatic alignment has to be accomplished, in order to obtain a "gentle blockade/stop". This function protects the damper/armature by reducing the end positions/blockade speed in order to avoid mechanical overload. The actuator aligns specifically once with 90 Sec/90° onto each position, recognizes the blockade position in order to reduce the motor performance during operation briefly before reaching the end /blockade position.



Error indication

Error/Symptom	Reason	Solution
01 Actuator does not work LED does not lights	<ul style="list-style-type: none"> No power supply attached The actuator is operated beyond ex-prevention ambient temperature specifications and the internal temperature sensor did irreversibly shut down operations 	<ul style="list-style-type: none"> Attache power supply and turn on Because of inadmissible operation the actuator drove out of safety relevant reasons into an irreversible condition and must be exchanged. Accompanying new installation the ambient temperature has to be reduced accordingly
02 Actuator does not work LED lights red	<ul style="list-style-type: none"> The actuator is operated by a too high ambient temperature and the internal temperature sensor responded 	<ul style="list-style-type: none"> Shut off actuator and let temperature decrease, reduce ambient temperature by suitable measures e.g. ventilation or other mounting position of the actuator
03 Actuator does not work LED lights green	<ul style="list-style-type: none"> 3-Pos control signal is wired on both entrances Required torque is greater than actuators torque Control signals are not attached or attached on a wrong conductor Actuator is incorrect mounted and is blocked by an external stop unit Actuator is clocked with more than 20 impulses <0,5 per sec. and therefore adjusted into suspend mode Interchanged supply lines 	<ul style="list-style-type: none"> Readjust/correct circuit Adjust a higher torque at the actuator if possible otherwise exchange for a type with higher torque. Examine rule and adjusting signal in accordance with attached diagram Dismount actuator and testdrive without load for operability. Install actuator accordingly that the power transmissions runs without external blockade or torsion Switch off supply voltage for at least 2 sec. thereby a reset is conducted Readjust controller in order to extend control pulses Wire 1 must be (-, N) and wire 2 (+, L)
04 Actuator does not work LED is red blinking	<ul style="list-style-type: none"> The actuator has been mounted by temperatures of less than -20°C and did not reach is operating temperatur of at least -20°C. 	<ul style="list-style-type: none"> Ensure that a constant voltage supply on conductor 1--2 is existing. Wait until the required operating temperature is achieved by the actuators internal heating system. The actuator will start operating independently
05 Y-drive in the 3-pos mode can not gear into intermediate positions	<ul style="list-style-type: none"> The conversion of constant mode on 3-pos-modus was not set 	<ul style="list-style-type: none"> Recalibrate the actuator in accordance with assembly instructions
06 Actuator sits diagonally on the squared damper shaft	<ul style="list-style-type: none"> The actuators have an angle of rotation of 95° inclusive 5° pre-tention. While assembling the pre-loading was not considered 	<ul style="list-style-type: none"> Dismount actuator of the damper, use the enclosed socket wrench to draw up approx. 5° over the hand operated control device before remounting on the damper shaft. Consider additional information ME-M of the assembly instructions
07 A modulating actuator (Y) works with reduced angle of rotation and already reaches its end positions before 0 V/4 mA, respectively before 10V/20mA.	<ul style="list-style-type: none"> At start up no self adjustment of angle of rotation was accomplished 	<ul style="list-style-type: none"> Accomplish self adjustment of angle of rotation in accordance with assembly instruction
08 LED flashes irregularly and actuator does not work	<ul style="list-style-type: none"> Actuator does not receive sufficient supply voltage Cable to long, voltage drop in the supply line to large 	<ul style="list-style-type: none"> Increase line cross section or increase tension at the transformer/power supply unit Increase line cross section or increase tension



ExMax/RedMax - extra information ME-M



The "ME-M"-data sheet contains additional information for ExMax and RedMax actuators of the size "M", for the optimization and simplification in regard to planning, installation and initial start up.- It shows influences of external factors in reference to the safe operation of the actuators. In particular it represents the installation, as well as different kind of dampers, fire dampers and armatures. Additionally describing different accessories and their mounting to the actuator.

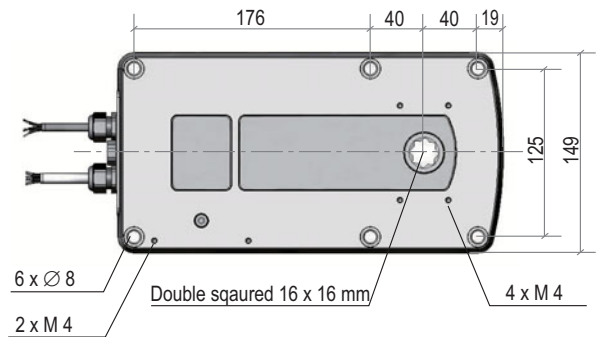
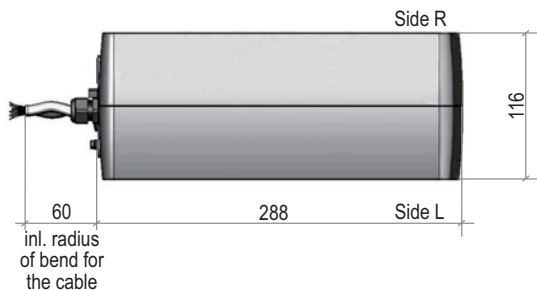
- ▶ Dimension, drill template
- ▶ Control elements: switch - push button - LED
- ▶ Outdoor installation
- ▶ Mounting using form-fitting shaft connection (square shaft)
- ▶ Mounting on butterfly valves and ball valves
- ▶ Mounting on fire dampers
- ▶ Mounting ExBox (RedBox), ExSwitch (RedSwitch)

For additional electrical data have a look at "extra information EL"

Dimensions - drill template

Dimension size M

Dimension in mm

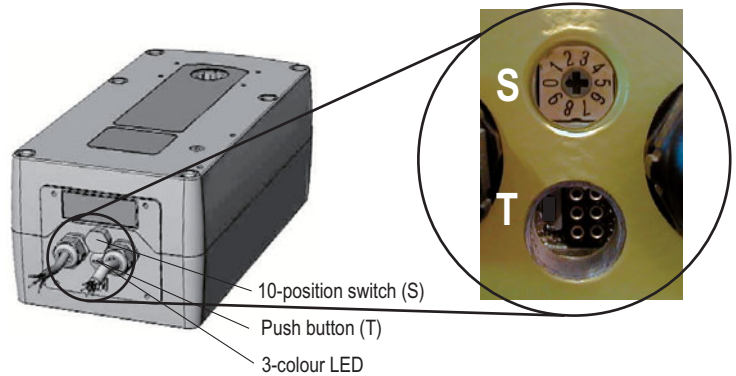


Control elements: switch - push button - LED

Specification

All ExMax and RedMax actuators are equipped with a 10 position switch a push button and a multicolor LED for programming. These control elements are to be found cable-laterally behind the two middle sectioned dummy plugs. For operation these must be removed. The calibration can be achieved despite lining up tension at the actuator. The explosion prevention is not effected. However it has to be of great concern that the dummy plugs must be rescrewed in order to comply with the IP-protection. The operation of the switch and button has to be done by means of a small screwdriver. Force with strong pressure and /or rotation is to be avoided in any case, since otherwise control electronics can be damaged irreparably. By bad visibilities a flashlight (certified within the EX-range) should be used. Attitudes of torque and running time can be achieved also before mounting. The adjustment of angle of rotation can be started only with an outside load and accurate mounting.

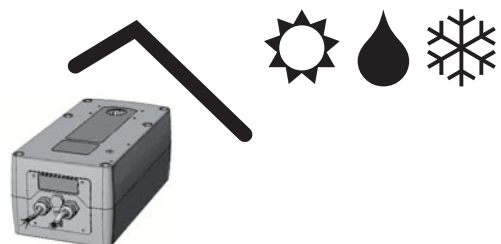
Switch - push button - LED for programming, behind dummy plug



Outdoor installation

Specification

For outdoor installation it has to be certain that the actuator is protected against direct sun exposure (warmth and UV), rain and snow by employing an enclosure roof. Supply voltage is to be applied immediately after mounting in order to assure integrated heating at start. Since explosion proof actuators must have internal safety temperature limiters, these may not be exposed neither at storage nor during operation to a too high temperature. Otherwise the limiters could respond and switch of the actuator irreversibly.



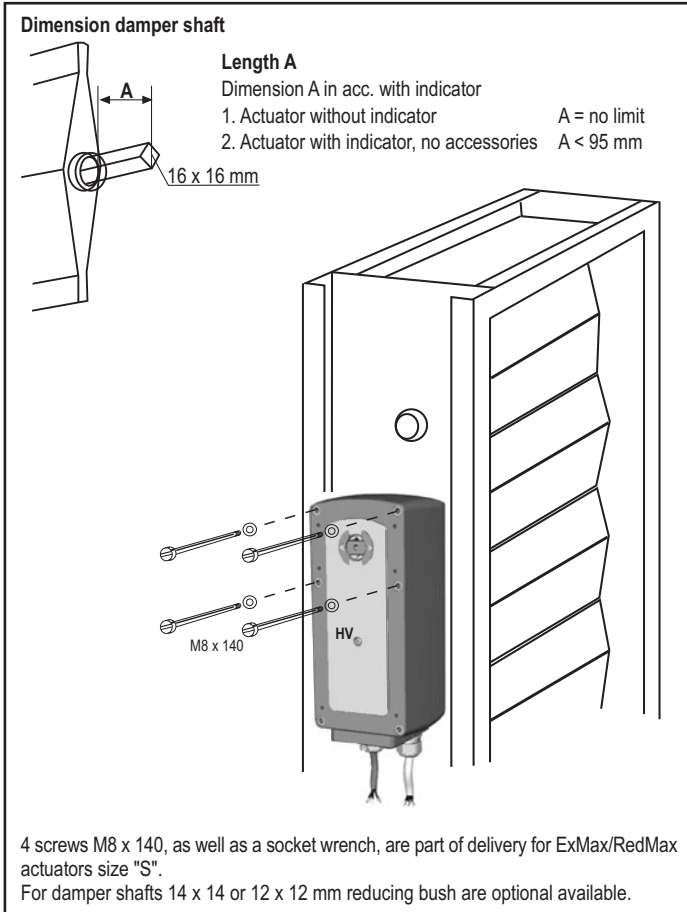


Mounting instruction for ExMax and RedMax actuators size M on air dampers

Specification

ExMax and RedMax actuators size M are equipped with a 16 x 16 mm (double square) shaft connection. The form-fitting shaft connection is the securest connection between damper shaft. The actuator will be connected firmly by means of four screws M 8 x 140 (scope of supply) to the damper.

Form fitting mounting on square damper shaft



Mounting instructions form-fitting shaft connection

It is to be considered that the actuators have a total angle movement of approx. 95° in order to realize a pre-tension on the damper. Therefore the actuator sits tilted on the damper shaft. In order to prevent this and to assure pre-tension to the damper the driving shaft has to be adjusted mechanically before connecting to the damper shaft. The provided socket wrench serves for the mechanical adjustment over the hand-operated control socket HV. The actuators are axially symmetrically developed. In case of spring return function the safety position must be selected by turning the actuator 180°.

Mounting:

1. Affix tap hole M8 (in accordance with drill template) on the damper or to a mounting bracket.
2. Adjust drive shaft of the actuator with the socket wrench that the drive stands perpendicular to the damper before plugging actuator on to the damper shaft.
3. Plug actuator onto damper shaft and fix diagonally with 2 screws.
4. Remove the socket wrench.
5. Pivot and tighten the remaining screws.

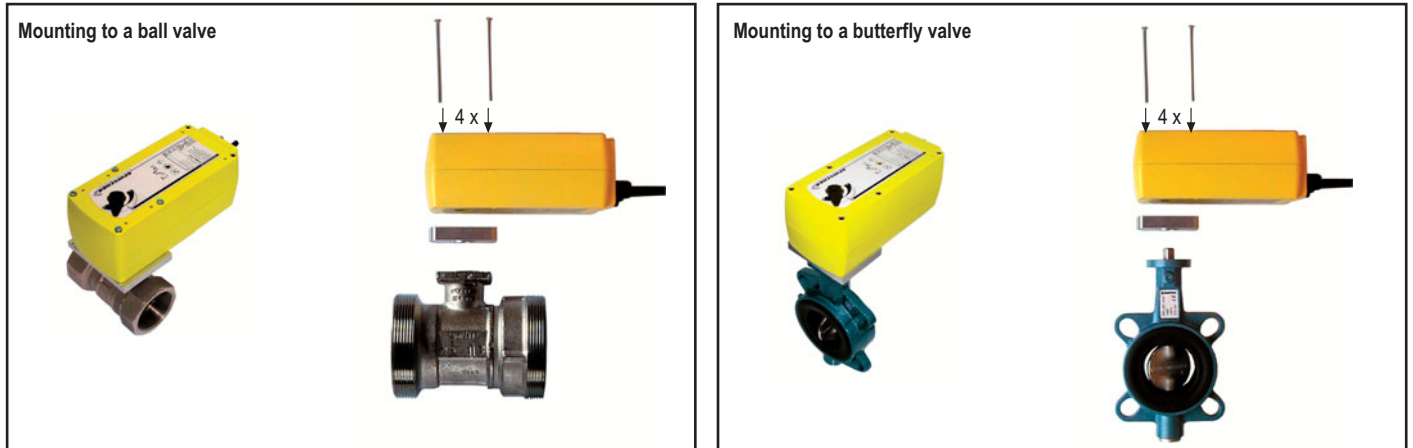
Note: the drive shaft is selflocking produced and may only be mechanically adjusted either with the provided socket wrench or the optional accessory "HV-M" manual override. External applied force to the shaft can lead to mechanical damage of the actuator.



Mounting instructions for ExMax and RedMax actuators size M on butterfly valve and ball valve

Specification

ExMax and RedMax actuators of the size M are equipped with a 16x16 mm (double square) form-fitting shaft connection. For mounting to butterfly valves or ball valve a special mounting bracket in acc. with DIN EN ISO 5211 is required. Since this standard provides only certain basic conditions there can be substantial geometrical differences between armatures which require a special adaption.



Mounting instructions for ExMax and RedMax actuators Size M on fire dampers

Specification

ExMax and RedMax actuators of the size M are equipped with a 16x16 mm (double square) form-fitting shaft connection. The form-fitting shaft connection is the securest connection between damper shaft and actuator. The actuator is fixed with four screws directly to the fire damper and/or fixed to a mounting bracket. ExMax-...-BF and RedMax-...-BF actuators integrate an intrinsically safe circuit in order to connect a FireSafe sensor which works like a temperature limiter.

Assembly

It is to be considered that the actuators have a total angle of rotation of approx. 95° in order to realize a pre-tension on the damper. Therefore the actuator sits tilted on the damper shaft. In order to prevent this and to assure pre-tension to the damper the driving shaft has to be adjusted mechanically before connecting to the damper shaft. The provided socket wrench serves for the mechanical adjustment over the hand-operated control socket HV. The actuators are axially symmetrically developed. In case of a spring return function the safety position must be selected by turning the actuator 180°.

Mounting:

1. Affix tap hole M8 (in accordance with drill drill template) on the damper or to a mounting bracket.
2. Adjust drive shaft of the actuator with the socket wrench that the drive stands perpendicular to the damper before plugging actuator on to the damper shaft.
3. Plug actuator onto damper shaft and fix diagonally with 2 screws.
4. Remove the socket wrench.
5. Pivot and tighten the remaining screws.
6. Mount temperatur limiter type Fire Safe
7. Mount terminal box
8. Connect sensor on actuator

Note: the drive shaft is selflockingly produced and may only be mechanically adjusted either with the provided socket wrench or the optional accessory "HV-M" manual override. External applied force to the shaft can lead to mechanical damage of the actuator.

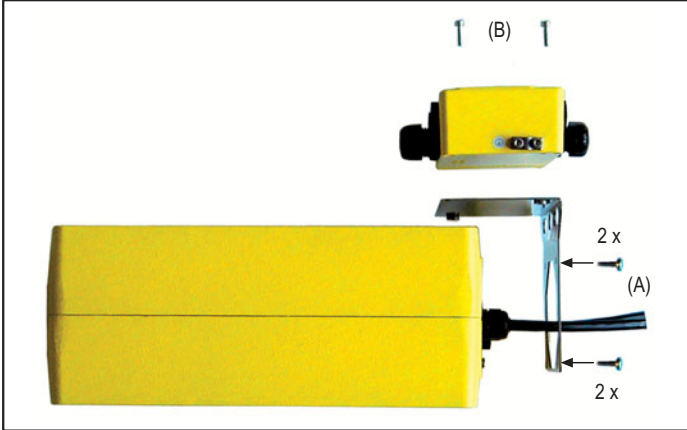


Mounting of terminal boxes type ExBox (RedBox) via mounting bracket MKK-M to the actuator (accessory)

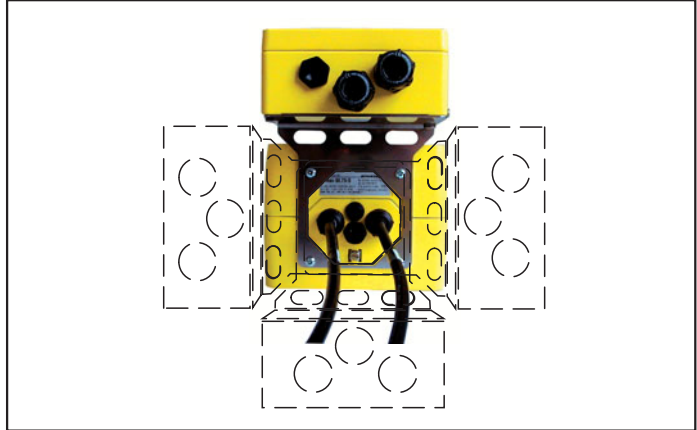
Specification

1. Screw mounting bracket MKK-S to the actuator (A) then terminal box to the mounting bracket (B) screws

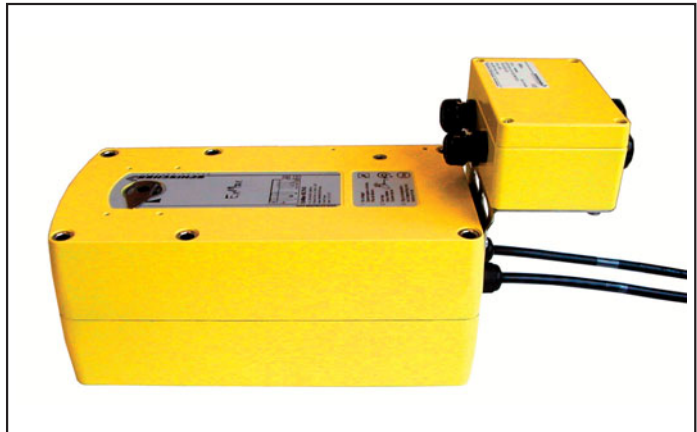
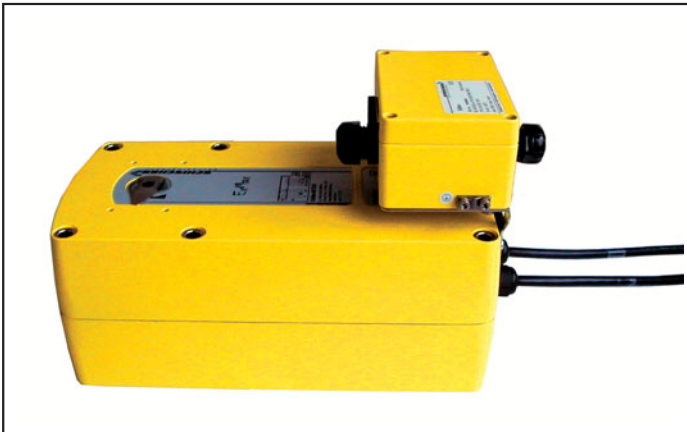
Mounting bracket MKK-M can be mounted every 90°



Terminal box mounted above the actuator



Terminal box mounted beside the actuator

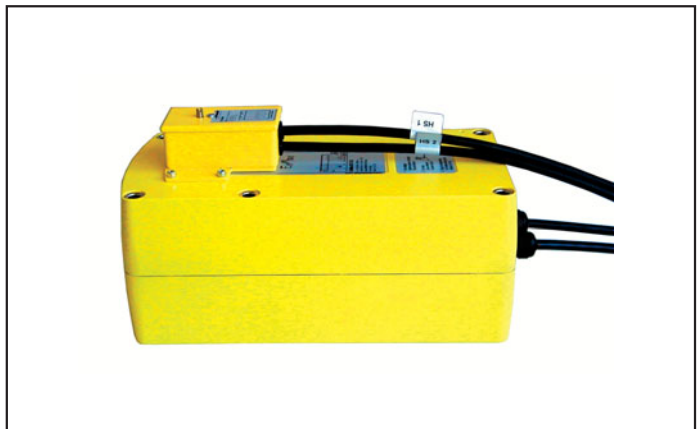
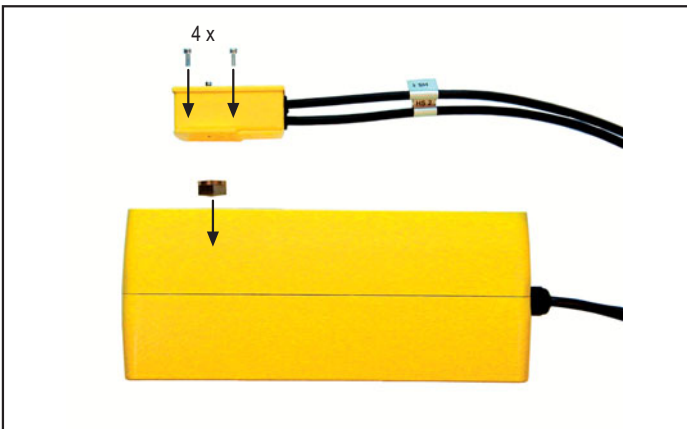


Mounting of ExSwitch (RedSwitch) accessory to the actuator

Specification

1. Put the squared connection part to the actuator, then mount ExSwitch (RedSwitch) and fix it with 4 screws

2. ExMax (RedMax) with mounted ExSwitch (RedSwitch)



M.MZ-01.01-M-en-Zusatzinfo ME
2006-03-13